



We have the right solution!



Solutions for Life

www.LDA.be



Visit our corporate website for more general information concerning LDA NV. On this website, you will also find basic information concerning our product ranges and our suppliers.



www.LDAdirect.be **LDA**direct



Visit our webshop for standard products. See immediately the prices, and order your products online. All products on www.LDAdirect.be are kept on stock for a quick delivery.



products.LDA.be



Visit our technical website in order to learn about our specialised, products. Download all necessary technical documentation, installation and calculation guides. All this information is available for free!



Hoge Buizen - 1980 EPPEGEM (BE)
www.LDA.be - LDA@LDA.be
☎ +32(0)2- 266 13 13

Visit our websites!

Inhoudstabel

Automation	3
Bellow actuators & vibration isolators	4
Shock absorbers – Enidine.....	5
Pneumatic valves.....	6
Pneumatic cylinders	8
Pneumatic slides.....	9
Parallel & angular grippers	10
Rotary Actuators & electric grippers	12
Venturi vacuum pumps	13
Air treatment.....	14
Fittings	15
Tubing.....	16
Round shaft & gliding surface technology	17
Miniature screw driven actuators & linear motion platforms	18
Electric rod style & rodless actuators.....	19
Gearboxes, disc brakes & disc clone clutches	20
Gas springs	21
Fluid and gas valves	23
Solenoid valves & stainless steel solenoid valves	24
High pressure, high temperature and Atex valves	25
Solenoid valves for process control & plastic valves.....	26
Firefighting valves & high purity fluid handling products	27
Instrumentation	29
Pressure, vacuum and temperature switches & level sensors	30
Industrial heat & fire detectors.....	31
Connectivity	33
DIN valve connectors & M8, M12 connectors	34
LDA, your partner with experience and a vision	35
Mission & vision	36
Motion technology	37
Fluid technology	39
www.LDAdirect.be – webshop for standard products	41
products.LDA.be – technical information	42

Brands:

Automation

Airpel	P8
Bimba	P8
Enidine	P5
EMC	P14, 15, 16
Firestone	P4
Gimatic	P9, 10, 11, 12
Joulin	P13
LDA	P14, 21
MAC Valves	P6, 7
PBC Linear	P17, 18
PHD	P8, 9, 10, 11, 12
Sapelem	P13
Thomson	P19
Tolomatic	P9, 19, 20
Vaccon	P13

Fluid and gas valves

Alcon	P25
Beco	P27
GSR	P25
Landon Kingsway	P27
M&M	P24
Magnatrol	P26
Midland-ACS	P26
Peterpaul	P27
Plastomatic	P26

Instrumentation

Euroswitch	P30
LDA	P31

Connectivity

mPm	P34
Bradharrison	P34

Automation

- ✦ Pneumatische ventielen en cilinders
- ✦ Gasveren, remmen en snelheidsregelaars
- ✦ Lineaire aandrijfsystemen
- ✦ Trillingsdemping
- ✦ Luchtbehandeling
- ✦ Koppelingen
- ✦ Schokdemping
- ✦ Electromechanische automatisering
- ✦ Vacuum
- ✦ Pick & Place en robotica
- ✦ Persluchtleidingen



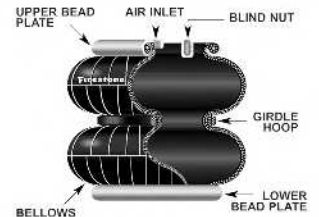


Firestone

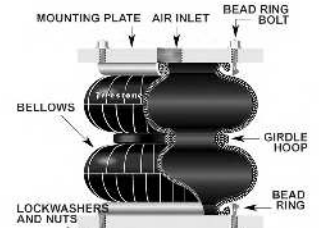
AIRSTROKE
ACTUATORS

World's Number 1
Air Spring.
FIRESTONE INDUSTRIAL PRODUCTS

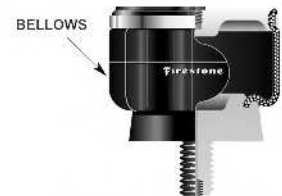
AIRMOUNT
ISOLATORS



CONVOLUTED AIR SPRINGS WITH CRIMPED BEAD PLATES



CONVOLUTED AIR SPRINGS WITH STEEL BEAD RINGS



1M1A AIRSTROKE actuator

Heavy Duty Vibration Isolators

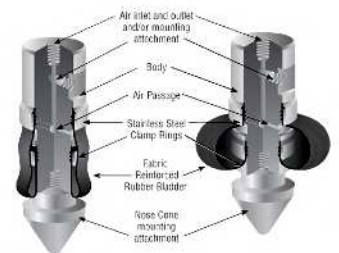
Inflatable grippers



MARSH MELLOW
SPRINGS



AIRPICKER AIRGRIPPER



Vibration Isolation

ENIDINE



Compact Rope Wire Vibration Isolators



Wire Rope Vibration Isolators

Shock Absorbers

ENIDINE



Micro/Small, Mid-Bore, Large Bore Series Shock Absorbers



HDN Heavy Duty Shock Absorbers



HI Heavy Industry Shock Absorbers



Jarret Silicone Elastomer Shock Absorbers

Hydraulic Rate Controllers

ENIDINE



ADA Adjustable Hydraulic Speed Regulators



Kinechek Shock Absorbing Speed Regulators

MAC Valves

Small 3 way valves

60 to 1000 NI/min



MAC Valves

large 3 way valves

1000 to 60.000 NI/min



MAC Valves

Small 5 way valves

55 to 1200 NI/min



MAC Valves

large 5 way valves

1200 to 15900 NI/min



MAC Valves

Remote Air Valves



MAC Valves

Mechanically & Manually Operated Valves



MAC Valves

Manifolds



MAC Valves

Proportional Pressure Controllers



Pneumatic Cylinders



CRS - Compact cylinder for light applications



CTS - Compact non-rotating guided rod cylinder



AV - tie-rod cylinders



NPG - Non-rotating tie-rod cylinders



CV - Exceptional performing cylinders



TD - Air/Oil Tandem Tie Rod Cylinders



Stretch Rod Cylinder for PET Blowers



Pneumatic Cylinders



Original Line



with plastic end caps



Stainless Steel Repairable



Non-Rotating



Miniature cylinders



Double Wall



Heavy Duty Repairable



3-Positions



Heavy Duty Stainless Steel



Flat Round Body



Flat Non-Rotating



Flat Multiple Power



Flat Square Body



Flat Square-Non-Rotating



low friction cylinders

Dashpots



Pneumatic Slides

phd

SFM & SFP Rodless Gantry rail pneumatic slides

SD/SE Versatile thruster slide

SK/SL Robust versatile thruster slide



SxL/SxH compact thruster slide

SHP Miniature rail thruster slide

STP Compact Rail thruster slide

SM pneumatic gantry slide



Pneumatic Slides

GIMATIC

ZE Pneumatic mini slide

Z pneumatic precision slide

D32 Pneumatic slide

L40 Pneumatic linear slide



P25 Pneumatic lift unit

M25 Pneumatic linear actuator

Interfaces to couple the P25 & M25 with grippers en slides



Pneumatic Slides

Tolomatic

MGA Magnetically coupled cylinders

MGS Magnetically Coupled slides

LS Linear slide series

MXP band cylinder



BC2 Band cylinder series

BC3 Band cylinder series

SA & CC Single & Double acting cable cylinders



Angular Grippers



GRV & 8400 Angular micro Grippers provide high precision, moment capacity, and grip force in a small rugged package



8600 Angular 3-Jaw is design to withstand high impact and shock loads.



GRB 180° angular grippers provide up to 180° of angular jaw travel, allowing the jaws to completely retract from the work area.



5300 Heavy duty angular grippers feature an oval piston for a high grip force to weight ratio. Spring assist provides extra grip force and part retention



Angular Grippers



2-jaw self-centering angular grippers

AA



GW



2-jaw self-centering angular grippers

XR



PB



2 & 3-jaw self-centering angular

PN



Pneumatic Clamps



GRM Pneumatic Workholding Clamps



Pneumatic Swing Clamps



PEC Pneumatic Toggle Clamps



PSP Pneumatic Shot Pin Actuators



PLC Robust Pneumatic Pin Clamps



PLK Versatile Pneumatic Pin Clamps



PNC Pneumatic Identification Stamping Clamps



Parallel Grippers



High precision parallel grippers with high grip forces



GRC high grip force rotary parallel grippers available with the SHURGRIP option



5300 parallel heavy duty grippers feature an oval piston for a high grip force



GRK parallel heavy duty grippers deliver the highest grip force in class. A wear-compensating jaw guidance system enables precision jaw movement throughout the life of the unit.



GRL narrow body parallel grippers with long jaw travel lengths.



GRH low profile & long travel parallel grippers that support large moment and long tool lengths



GRW parallel grippers feature large diameter jaw guides for jaw stability and high moment capacity.



GRT parallel 3-Jaw grippers provide self-centering and max contact between part and tooling



GRR Guardian® parallel grippers that provide high grip force with long jaw travels and high jaw loads. Designed for high impact and shock loads and to grip large objects in demanding industry applications



Unique Solutions®



CNC gripper



Parallel Grippers



GM 2-jaw self-centering gripper



MGX 2-jaw self-centering gripper



JP 2-jaw self-centering gripper



XP 2-jaw self-centering gripper



GS 2-jaw self-centering gripper



SGS 2-jaw self-centering gripper



PT needle gripper



PE 2-jaw self-centering gripper



S 2-jaw self-centering gripper



SH 2-jaw self-centering gripper



PQ 2-jaw self-centering gripper



Air Hand expansion gripper



Rotary Actuators



RA High Load Pneumatic Rotary Actuators



RF Low Profile Pneumatic Rotary Actuators



RI High Force Rotary Actuators feature internal air passages within the rotary pinion



1000-8000 Heavy Duty Pneumatic & Hydraulic Rotary Actuators



2000-8000 Air/Oil Tandem Rotary Actuators



2000-8000 Multi-Position Pneumatic & Hydraulic Rotary Actuators



Rotary Actuators



ISTC Pneumatic indexing table



TRB - Pneumatic indexing table



RT series pneumatic swivelling unit



R series 2 piston pneumatic swivelling unit



Electric Grippers



EGRK Heavy Duty Parallel Electric Grippers



GRME Electric Workholding Clamps



PLCE Robust Electric Pin Clamps



Electric Grippers



MPTM 3 jaw parallel gripper



MPPM 2 jaw parallel electric gripper



MPXM long stroke 2 jaw electric parallel gripper



MPRM 2 jaw radial electric gripper



MPBS 2 jaw angular electric sprue gripper



Venturi Vacuum Pumps

Dirt Tolerant Design



Small & Inline Venturi



High Vacuum Venturi



Multiport venturi



Fast Vacuum Breaker



Venturi Vacuum Manifold



Dirt Tolerant Pumps & Material Conveying



Miniature Venturi with Solenoid Control



Modular Venturi with Solenoid Control and Blowoff



Vacuum Cups



Single Bellow Cups



Flat Cups



Multi Bellow Cups



Oval Cups



Flat Cups



Robust Vacuum Cups & Venturi



Metallic plate with foam Gasket



Vacuum Check Valve with blowoff



Robust Blue Venturi



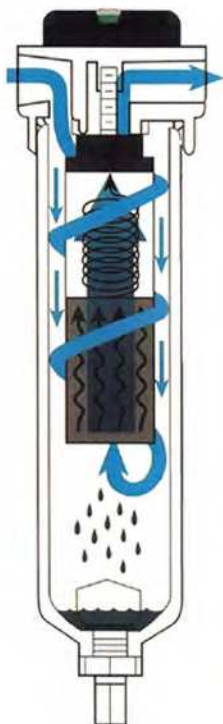
Vacuum Foam Grippers with check valves



Air treatment - high quality line



Eliminizer Combo



Eliminizer

Eliminator II

Eliminex Separator

Air treatment - low cost line



Polymer Push-In Fittings



Brass Push-In Fittings



Function fittings



Brass fittings



PU TUBE



Model: 4x2.5 6x4 8x6 10x6.5 12x8 14x10 16x12
Type: Roll Type
Length: 200m 100m

PE TUBE



Model: 4x2.5 6x4 8x5 8x6 10x6.5 12x8
Type: Roll Type/Spring Type
Length: 200m 100m 50m 35m 30m

PU TUBE



Type: Spring with fitting optional
Spring Type: 15m 12m 9m 7.5m

PU Reinforced TUBE



Size: 3/8x1/4 1/2x3/8 8x5 10x6.5 11x6 12x8 13x9 13.5x8
 13.5x9.5 14x10 15.5x10 15x9 16x10 16x11 18x12 18x13
Operating Pressure: 13.5 BAR
Max Pressure: 40 BAR
Temperature: -20-65°C

NYLON TUBE



Model: 3x2 4x2.5 5x3 6x4 8x5 8x6 10x7.5 12x8 14x10 16x12
Type: Roll Type
Length: 200m 100m 50m 35m 30m

PU CUTTER



Model: ECP-01



Round Shaft Technology



Simplicity Plain Bearings



Simplicity Pillow Blocks



Simplicity Sleeve Bearings



Steel - SS - Ceramic coated shafts



Gliding Surface Technology



LMP - low profile mini-Rail



MR - Miniature Linear Guide



D - uni-Guide



UGA- low Profile Uni-Guide



SB - Square Bearing



Cam Roller Technology & Roller Bearings



LPRR - Low Profile Redi-rail



YW - Y-Guide Roller Bearing



RR - Redi-Rail



CR - Commercial Rail



HR - Heavy-Rail



Integral - V - linear Guides





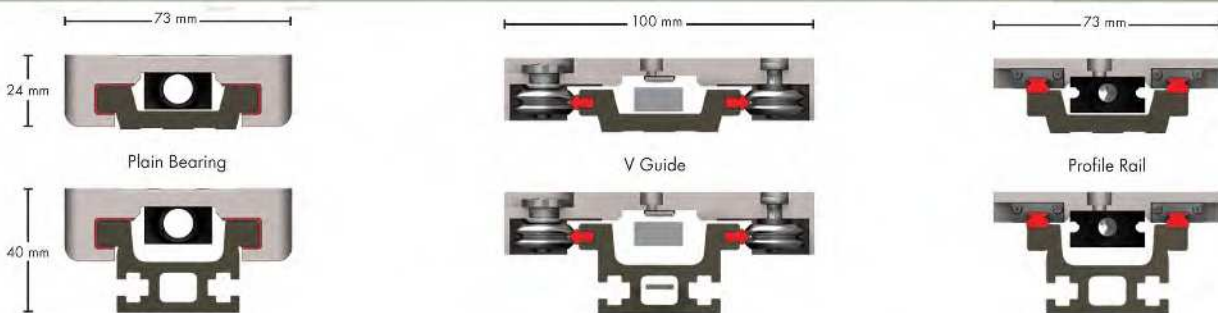
SIM **LINEAR MOTION PLATFORM**
SERIES
SIMULTANEOUS INTEGRAL MILLING OPERATION



Tribology Options



Available Profiles





Electric Rod Style actuators



ACS Stepper Controllers



ACS Servo Controllers



NEMA Motors

ERD Stainless Steel Electric Actuator



RSA / GSA Heavy Duty Electric Actuators



Foodgrade SS Electric Cylinder



IRC Smart Electric Actuator



Heavy Duty Actuator with a unique integrated servo design



Rodless Driven Actuators



TKS Low Profile Precision Ball Bearing



Rodless Screw Driven Actuators with Adjustable Carrier Bracket



MXE Standard Electric Linear Screw Driven Actuators



B3W Heavy Duty Electric Linear belt Driven Actuator



THOMSON
Linear Motion. Optimized.

AC & DC Rodstyle Actuators



Electrak Pro



Electrak 5



PPA AC Actuator



Whisper Trak Actuator





Gearboxes

Power Transmission

ENDURANCE TECHNOLOGY™

Look for this endurance technology symbol indicating our durability design features

Slide-Rite® & Slide-Rite®CR Gearbox

COMPACT SIZE - 1:1 RATIO



Float-A-Shaft Gearbox

COMPACT SERIES - 1:1 RATIO

Standard Foot Mount Flat Base



Capilar Disc Brakes



Double Acting

FIXED MOUNT - FIXED DISC



Single Acting

FIXED MOUNT - FLOATING DISC



Single Acting with Floating Bracket

FLOATING MOUNT - FIXED DISC



"L" Long Lever Single Acting

FLOATING DISC - FIXED DISC



Double Acting

FLOATING MOUNT - FIXED DISC



Disc with Bolt Circles & Pilot Hole



One-Piece Hub and Disc



Blank Disc



Disc Cone Clutches



1200 series



1300 series



Sprocket Combo





LIFT gas springs

The LIFT type is the most popular gas spring. This type is used as a counterbalance of weights and as a speed control device. They meet the highest worldwide standards for lifting, counterbalancing, lowering, tilting and damping lids and covers.

GT-LIFT gas springs

The working principle of the GT-LIFT is the opposite of the LIFT gas spring. While the LIFT gas spring is always prepared to extend (i.e. to open lid and covers) the GT-LIFT's function is to retract itself.

Custom made gas springs

Our engineers are working closely with our customers to design a gas spring that meets their specific needs. In addition to this, we have the capability of supplying identical gas springs that you are already using. Therefore we need only a technical drawing or a sample.



INOXLIFT Stainless steel gas spring

For high corrosion resistance a wide range of stainless steel gas springs are available for Lift, Stoplift and GT LIFT gas prings. Where corrosion resistance is paramount, we supply you with gas springs in SAE304 or in SAE316L material.



STOPLIFT gas spring enabling variable

positioning. This type of gas spring has a special internal structure enabling the gas spring variable positioning on the application. On application where the stoplift is used you will be able to stop the gas spring at any desired position.



STEP-STOP gas springs with multi stroke section This type of gas springs divides the opening stroke into multi distinct sections for desired flap positioning. Grooves inside the tube allow the STEP-STOP gaspring to stop at various angles depending on how many stop points are required.



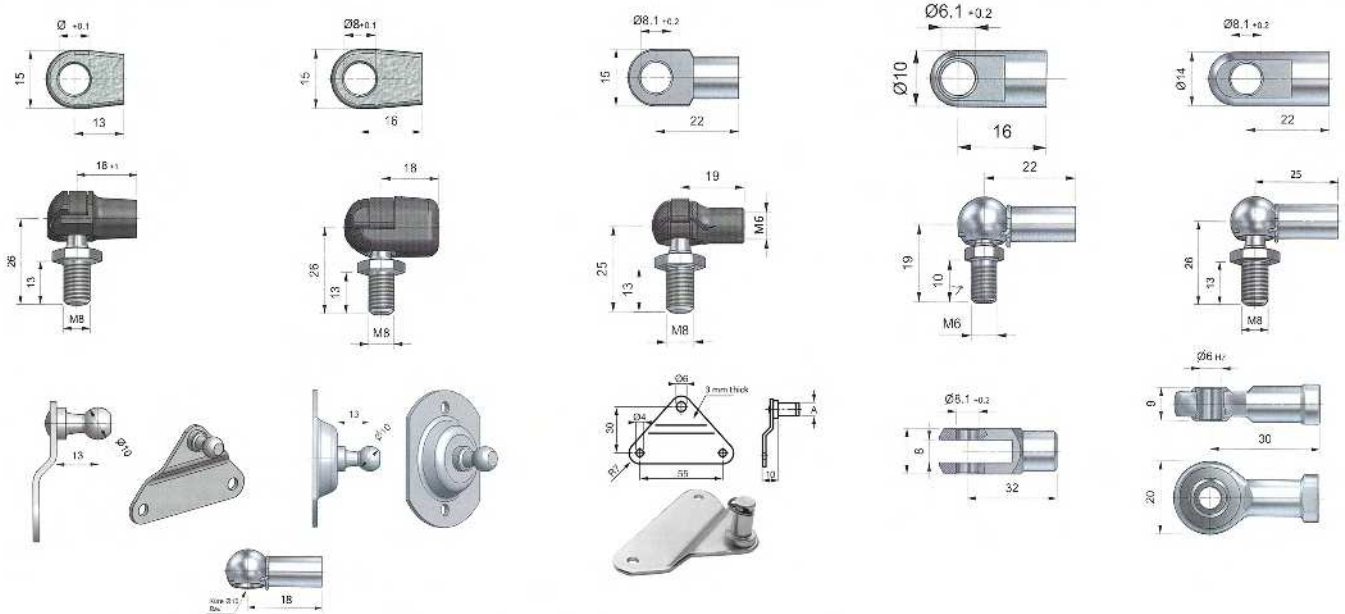
LIFT & LOCK gas springs with end position locking. These gas springs are regular LIFT types but with additional end position locking feature. Depending on the type you choose the end locking is available at extended, compressed or extended and compressed positions.



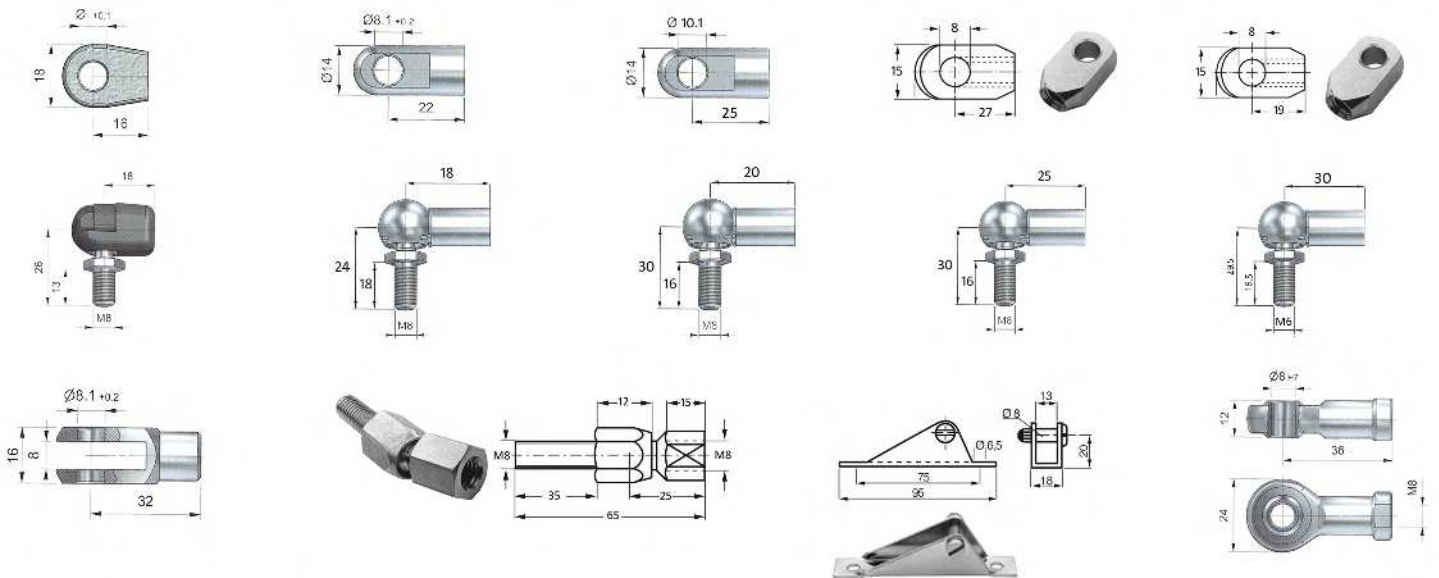
LKD gas springs for heavy duty applications. LKD's are developed for heavy duty applications requiring lifting forces from 740 kg to 5000 kg. The LKD is ideally suited for a wide variety of applications in the machinery industry.

Group	Stroke (max.)	F ₁ - Force (min - max.)
4 / 12	200	10N – 180N
6 / 15	400	50N – 400N
8 / 18	600	100N – 800N
10 / 22	800	100N – 1.200N
10 / 28	800	150N – 1.200N
14 / 28	1.000	250N – 2.500N
20 / 40	1.500	500N – 5.000N
25 / 55	700	500N – 7.500N
30 / 70	800	1.000N – 10.000N

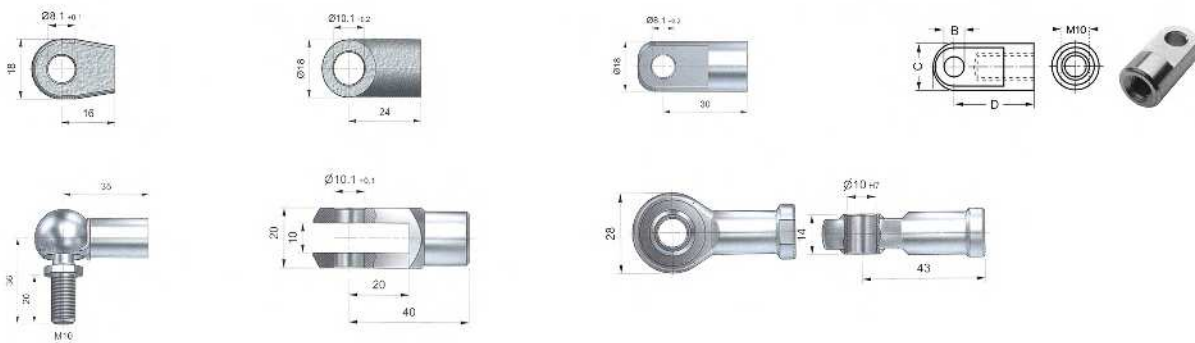
M6 - Gas Spring End fittings



M8 - Gas Spring End fittings



M10 - Gas Spring End fittings



Vloeistof en gas afsluiters

- ✦ Afsluiters voor vloeistoffen en gassen
- ✦ Stuurventielen voor de proces- en petrochemische industrie
- ✦ Afsluiters in kunststof en PTFE
- ✦ Cryogene ventielen
- ✦ RVS componenten met ATEX & Gost-R certificaat
- ✦ Firefighting ventielen



Solenoid Valves for Thermohydraulics

m&m



D223 ÷ 225
from 1 1/4" to 2"



B203 ÷ 222
from 1/4" to 1"



D505 ÷ 522
from 1/2" to 1"



D264 ÷ 266
from 1/4" to 1/2"

Solenoid Valves for Automation

m&m



D187 ÷ 293
from 1/4" to 1"



D884 ÷ 886
from 1/4" to 1/2"



D237 ÷ 239
from 1/4" to 1/2"



D262/263
1/8" and 1/4"



B297
1/8"



C 242
1/8"



B919 ÷ 921
manifold



D301
flange 32x32



D362/363
1/8" and 1/4"



B397
1/8"

Solenoid Valves for Air Treatment

m&m



RD236
1/4"



RD213
1/8"



RB214
1/8"



D201
flange 32x32



D249
1/4"



ADV
with solenoid valves



STRAINERS
from 1/4" to 1/2"



ADV
with compact PAV

Solenoid Valves for Steam

m&m



D606/622
3/4" and 1"



D887 ÷ 892
from 1/4" to 1"



D634 ÷ D636
from 1/4" to 1/2"



D262/263
1/8" and 1/4"



D260/261
1/4" & 1/4"
and 3/8"



RD236
1/4"

Stainless Steel Solenoid Valves

m&m



B298
1/8"



D298/299
1/8" and 1/4"



B398
1/8"



D398/399
1/8" and 1/4"



D204 ÷ 222
from 3/8" to 1"

Pilot Operated Solenoid Valves

GSR



Serie 28



Serie 44



Serie 51



Serie 2/529

External (Pressure) Controller Valves

GSR



Serie 60



Serie 63



Serie 22



Serie 26

High Pressure Valves up to 500 bar

High Temp. Valves up to 400°C

GSR



Atex & Multy Purpose Valves

alcon
GAS VALVES



Serie UACP



Serie 70



Serie ACHL



Serie JNO - JNC



Serie HWA



Solenoid valves for process control

CRYOGENIC applications



Oil - Gas & offshore valves



MIDLAND-AS

RVS Filters & Regulators



RVS Direct Acting Valves



RVS Spool valves



RVS 1500 spool valve pilot latch with indicator



RVS 1500 spool valve push - pull



Impact Manifold



RVS 1800 series fluoslide



RVS 1500 lever-roller operated spring return



RVS 1600 pilot spool valve



RVS 3575 series service air



RVS 1500 spool valve key operated



RVS 1600 spool valve hand lever



Multipurpose Plastic Valves & Systems

PLAST-O-MATIC VALVE LINE



Solenoid Valve



Electric Actuated Ball Valve



Low Level pressure switch



Gauge Guard



Air Operated Chemical Metering Pump



Vacuum Breakers - Shutoff Valves
Backpressure & Anti-Siphon Valves
Pressure Regulators
Sight Glasses & Level Indicators
Air Release & Degassing Valves



Pressure Stabilizer



3 way actuated Ball valve with stroke limiter



Manual Ball Valve



Pignion & Rack actuator with Ball Valves



Fire Fighting Valves

LONDON
KINGSWAY
SAFETY, CONTROL & FIRE-FIGHTING EQUIPMENT



PTFE Engineered High Purity Fluid Handling Products

BECO
Pneumatic Valves



Single Orifice Plunger valves

peterpaul



Notities



Instrumentatie

🚦 Druk, temperatuur en niveau

🚦 Schakelaars

🚦 Branddetectie

🚦 Transducers



Pressure Switches



Diaphragm Pressure Switches



Pressure Switch with SPDT Contacts



Electrical differential Pressure Switches



Vacuum Switches



Temperature Switches



Bimetallic Thermostat



Thermal Contacts



Temperature Probes



Level Sensors



Electromagnetic Level Sensor



Electromechanical Level Sensor



Resistive Electromechanical Level Sensor







Connectiviteit

🌈 Industriële connectoren type A, B en C

🌈 Industriële connectoren M8

🌈 Industriële connectoren M12

🌈 Industriële connectoren type Micro



DIN Valve Connectors



M8 NANO-Change, M12 MICRO-Change & Ultra-lock 3 to 5 poles connectors



M12 r-coding cross-shielded format connectors and receptacles achieve Cat 6A Ethernet speed for high-speed data transfer in harsh-duty applications



CHT - M12 Circular Hybrid Technology connector with wrap-around shielding combines Cat5e Ethernet speed with power lines



M25 Signal and Power Connector

Splitter Boxes



LDA - Your partner with experience and a vision

LDA Corp. an independent Belgium Company, distributes already for more than 45 years, high quality components for industrial automation in Belgium and Luxemburg.

LDA, together with his principal suppliers, has during those 45 years built an important customer network. We guaranty good service and quality. Our skills and experience are the building stones of our current and future success.

LDA is specialised in shock absorption and vibration isolation, pneumatic and Fluid components, for which we also can offer total solutions. Thanks to more than 4 decades of experience and the direct support of our manufacturers, LDA is able to offer you optimal technical and economically efficient solutions, combined with a flawless logistic and administrative service.

Our strength – YOUR ADVANTAGE

- ▲ Focus on the customer,
- ▲ Competent and independent advice,
- ▲ Customer specific solutions,
- ▲ Technical support for all your projects,
- ▲ Newest technology available,
- ▲ A flexible and efficient company,
- ▲ Applied quality management system.

Focus on the customer

LDA stand for durable relations, we team-up with our customers, our suppliers and not at least our employees. In our company you will find highly motivated trusted faces working as a team to guaranty your success. We think in solutions and use products developed specifically for your application with high quality, long lifetime and minimal energy consumption.

In short: **SOLUTIONS FOR LIFE.**

All these factors combined and the continuous pursuit of the LDA team to offer our customer the best possible service, has lead LDA to become an acknowledged industrial supplier on our Belgium and Luxemburg market.

Our Lowest Cost of Ownership (LCO) and Customer Profit Reinforcement (CPR) software has been specifically designed to offer our customers the best cost efficient solution.

Mission, Vision and Goals

LDA is an industrial supplier of high technological components. Our mission is to supply products to niche markets where our technical know-how is an added value. Together with our customers we create optimal solutions; by this means we generate a Win-Win situation for both parties.

Our goal is to gain an important place in all industrial branches, and to provide them with a broad range of quality products within the product range of Motion Control and Fluid Technology.

A broad product range is our basis to success. A good relationship with our suppliers, high technical skills, our long experience, quality and reliable products are the core ingredients to deliver an important added value to our customers.

LDA shall also excel in their logistic and administrative service towards their customer.

Motion Technology:

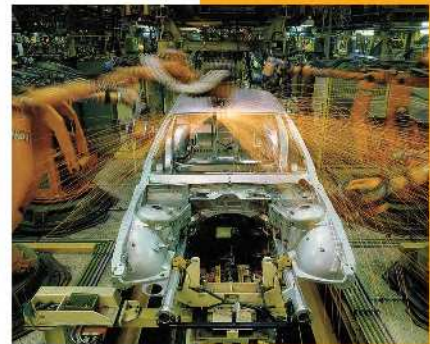
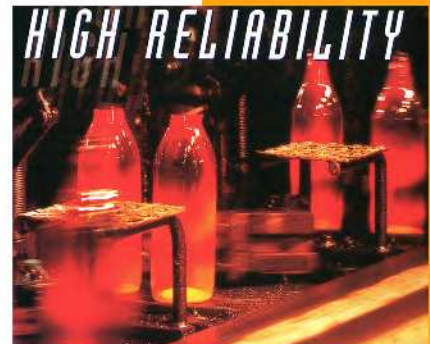
- ▲ Shock absorption and vibration isolation
- ▲ Pneumatic valves and cylinders
- ▲ Robots and Pick & Place systems
- ▲ Electromagnetic and servo components
- ▲ Gas springs, Rate Controls and Brake systems
- ▲ Vacuum components

Fluid Technology:

- ▲ Valves for liquids and gases
- ▲ Cryogenic valves and components
- ▲ Control valves for Petrochemical and Process industry and Components in Stainless Steel with ATEX and GOST-R certificate.

Instrumentation:

- ▲ Pressure, Temperature and Level
- ▲ Connectors



Motion Technology

Pneumatic Valves and Cylinders:

MAC VALVES a leader in advanced pneumatic valve technology offers the customer innovative and optimized solutions. Their unique features, unprecedented high lifetime and lightning fast switching speed, made that Mac Valves gained worldwide renown.

PHD offers solutions for the industrial automation, their product line consist of clamps, cylinders, escapements, grippers, multi motion, rotary actuators, slides and switches. Also PHD guaranties a long life time and high quality; therefore it is a perfect match with Mac Valves. MDN is the worldwide network of Mac Valves and PHD with more than 3.500 employees worldwide. MDN assures a global product availability and support for both suppliers.

For less demanding applications, we offer BIMBA pneumatic valves for a very good price quality ratio. BIMBA and AIRWORK also have a broad line of standard and compact cylinders in aluminium, steel or stainless steel. They offer Quality and Flexibility at an optimal price. Frictionless cylinders are available from AIRPEL.

Our assortment also contains all required accessories such as: (push-in) fittings, plastic tubing and air treatment appliances etc.

Energy absorption and vibration isolation:

ENIDINE products offer the widest range of standard and custom energy absorption, vibration isolation and automation solution available today. Hydraulic shock absorbers protect your machines and installations against wear and tear or breaking, they also help to accelerate your processes and reduce maintenance. AIRPOT Corp. is the world's leading manufacturer of ultra low friction, super-responsive pneumatic piston and cylinder motion dampers and actuators. FIRESTONE leads the way in manufacturing sophisticated air springs for technologically advanced isolation, actuation and pick-and place solutions. FIRESTONE actuators, ENIDINE Cable Springs and elastomeric absorbers form the backbone of our vibration isolation programme. FIRESTONE has also a special product line of rubber absorbers, Marsh Mellow springs are an effective passive isolator with superior characteristics to steel springs.

Pick and Place:

Industrial automation comes into play where components have to be moved repeatedly. With PHD and TOLOMATIC we offer a high quality pneumatic and electrical line; actuators, rotating and linear drives, pickers, grippers and complete robots.

PACIFIC BEARING is a worldwide supplier of innovative linear and rotary motion solutions. VACCON, CONVUM and SAPELEM form our product line of vacuum suction cups and ejectors. We have multi station energy friendly vacuum pumps or single stage pumps that don't clog. To move delicate components, you can always use the inflatable grippers of BIMBA, FIRESTONE or PRONAL.

Gas Springs, Rate Controls and brakes:

Due to its years of experience in this field, LDA has expert knowledge of all industrial applications involving gas springs. That is why LDA has a complete stock of its own assortment of steel and stainless steel gas springs. Various dimensions, from large to small, special versions and adjustable gas springs are readily available, supported by a competent technical staff for advice and calculations. ENIDINE has an assortment of Rate Controls and TOLOMATIC delivers a wide variety of disc brakes for industrial applications



CORPORATE & PRODUCT OVERVIEW



Fluid Technology

Valves for fluids and Gasses:

LDA has a complete product line of magnetic valves for gases and liquids. These valves are made of brass, stainless steel or aluminium, and are supplied by various specialists in their own field: M&M, ALCON, GSR, MAGNATROL and PETER PAUL, and they also come in various synthetic materials from PLAST-O-MATIC such as PVC, Polypro, PVDF and PTFE.

Our valves are electromagnetically or pilot driven and are applied in all markets, in particular the food industry, cryogenic applications and in aggressive industrial environments.

- ▲ Electromagnetically controlled,
- ▲ Pneumatically Pilot driven,
- ▲ For high and low temperatures,
- ▲ For high and low pressures,
- ▲ For high and low flow,
- ▲ Explosion resistant, ATEX certified,
- ▲ In-line and Manifold versions,
- ▲ Cryogen applications.

Control Valves:

For the Process and Petrochemical industries we offer from BIS and MIDLAND/ACS, a complete product line of valves in SS 316 for compressed air, gasses and hydraulics. Of course, ATEX certified and upon request provided with a GOST-R certificate.

The Impact 2000 is completely modular and combines air treatment parts with valves to create your desired Actuator Control system, without fittings, with a minimum of work and guaranteed leakages free. We also offer all accessories such as: Quick Exhaust, Check and Safety Relief valves.

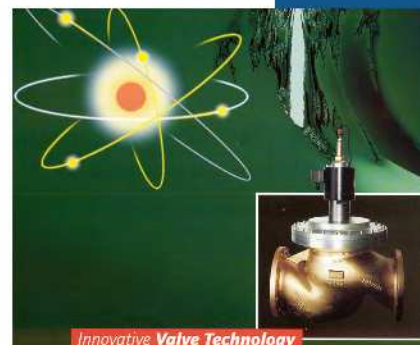
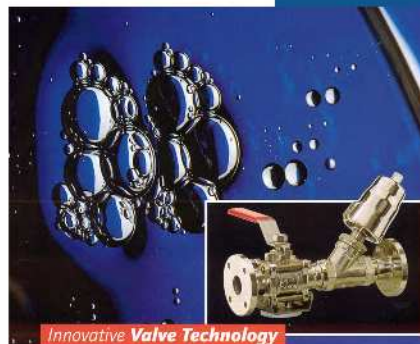
This programme has a temperature range between -50 and +180 and work pressures from 0,1 – 20.000 psi!

Instrumentation

Temperature, Pressure and Level controllers can be found in our product lines of ELETTRITEC and PLAST-O-MATIC.

In order to perfectly steer all this electrical information, we also supply MPM plugs and connectors, with or without casted-on cables.

FENWAL is famous for its fire and gas detection systems, but also delivers an extensive assortment of industrial thermostats.



Visit our webshop!

LDA *direct*

Standard quality products at a correct price, a short delivery period and a permanent support of our experts: This is what LDAdirect has to offer.

Our commitment, your advantage.

Through LDAdirect, our customers can choose themselves when to order out of our large standard product range. But there is more. LDA nv commits itself to take into stock all products that appear on LDAdirect. This is why we can guarantee (subject to certain exceptions) that all orders that are made before 14h00 on a working day, will be delivered within 1 working day in Belgium, and within 2 working days in the Netherlands and Luxembourg. For this a standard transport fee of 15€ (excl. TVA) is charged, regardless the size of the order or the location in the BeNeLux!

You can also contact LDAdirect on +32 (0)2 669 68 00 or through LDAdirect@LDA.be.

Already available:

- ▲ Fluid valves
- ▲ DIN Connectors
- ▲ Tubing
- ▲ Fittings
- ▲ Air treatment
- ▲ New product ranges are continuously being added

Webshop advantages:

- ▲ Focus on BeNeLux, but price requests from other countries are also processed
- ▲ Correct pricing
- ▲ Quality products, all on stock
- ▲ BE deliveries within 1 workday
- ▲ NL & LUX deliveries within 2 workdays

**Follow us on twitter (@LDAdirect)
in order to be kept up to date on
the changes of our online product
ranges!**



Hoge Buizen - 1980 EPPEGEM (BE)
www.LDA.be - LDA@LDA.be

☎ +32(0)2- 266 13 13

www.LDAdirect.be

Visit our technical productwebsite!

Specialised products need specialised knowledge. The LDA team is happy to share this knowledge, because we understand the need of our customers for technical documentation, also outside of our openinghours. That is why we offer a maximum of technical and specialised documentation about our products online.

Our engagement, your advantage.

Through products.LDA.be, you will be able to search for and download technical documentation. If videos about the products are available, these will be accesible by clicking the Youtube button. Do you wish to contact our staff? No problem, there are different ways to reach us. Next to the phone number and email address at the top of the website, you can also use the button "Ask a question about this product" to send your request to LDA.

About *products.LDA.be*:

You will find:

- ▲ Technical information for each productcategory
- ▲ Youtube movies wherever possible
- ▲ Downloadable catalogs
- ▲ Downloadable installation instructions
- ▲ Online instructions and sizing software to identify the correct products

For the future:

- ▲ Our online technical information is continually being adapted and expanded
- ▲ Prices are not online, as the price depends on various technical parameters
- ▲ Understand how our products work, and understand how quality products can save you money
- ▲ Ask your questions to the LDA team!

Stay up to date and follow us on Facebook and LinkedIn!



Hoge Buizen - 1980 EPPEGEM (BE)
www.LDA.be - LDA@LDA.be
☎ +32(0)2- 266 13 13

products.LDA.be

Notities





We look forward to your application.

LDA Belgium

Hoge Buizen 53
1980 Epegem
Belgium

Tel. +32 (0)2-266 13 13

Mail: LDA@LDA.be

www.LDA.be